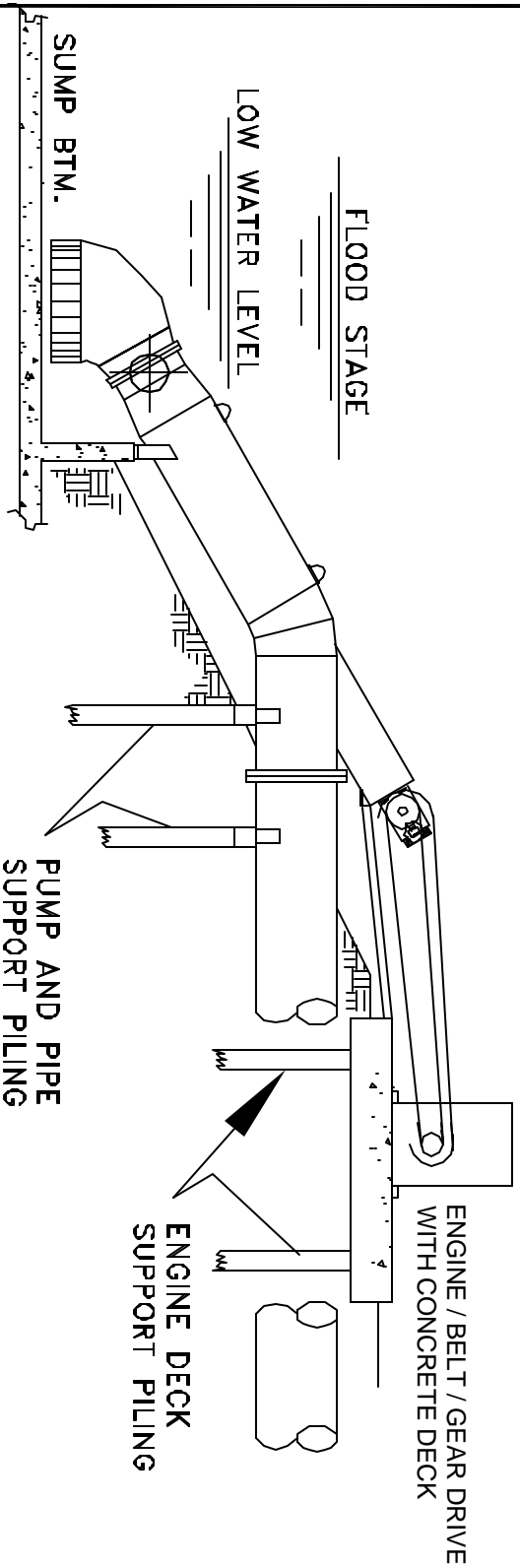


30° / 45° PUMP LAYOUT USING  
COMBINATION GEAR / BELT  
DRIVE WITH CONCRETE ENGINE  
DECK MOUNTING. IDEAL FOR  
LARGE SLOW SPEED PUMPS



FOR:

TITLE:

CONFIDENTIAL - PROPERTY OF

RL4 HANNOVERTIA ROAD FORWARD BEACH PL. 38000

DR: \_\_\_\_\_

FILE NAME:

DATE:  
17-OCT-01

CH: \_\_\_\_\_

SCALE:  
1" = 16"

SHEET:

DWG. NO.

AP: \_\_\_\_\_

1" = 16"

6

DWG. NO.