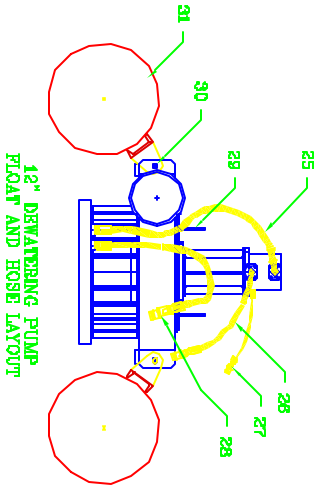
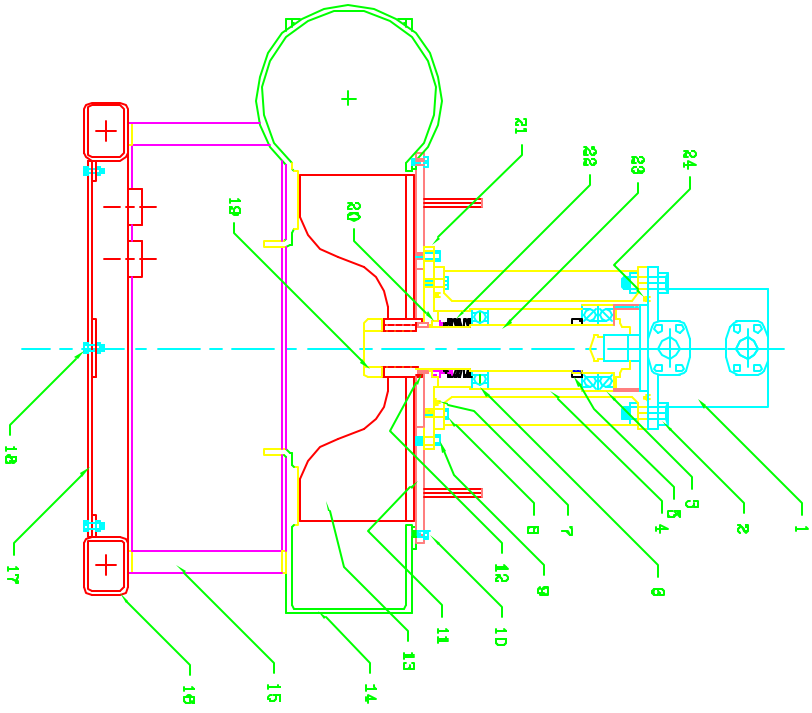


CROSS-SECTION



REV.	DESCRIPTION	BY	DATE
QUANTITIES: APPROXIMATE QTY PARTS MANUFACTURED BY ACME IMPROVEMENT DISTRICT 16" DEWATERING PUMP UNLESS OTHERWISE SPECIFIED			
TITLE: PUMP HEAD CROSS-SECTION DWG.			
DRAWN BY: DATE: 12-3-91	CHECKED BY: DATE:		
SCALE: SHEET 1 NT: 5.1	DWG. NO. 11144		