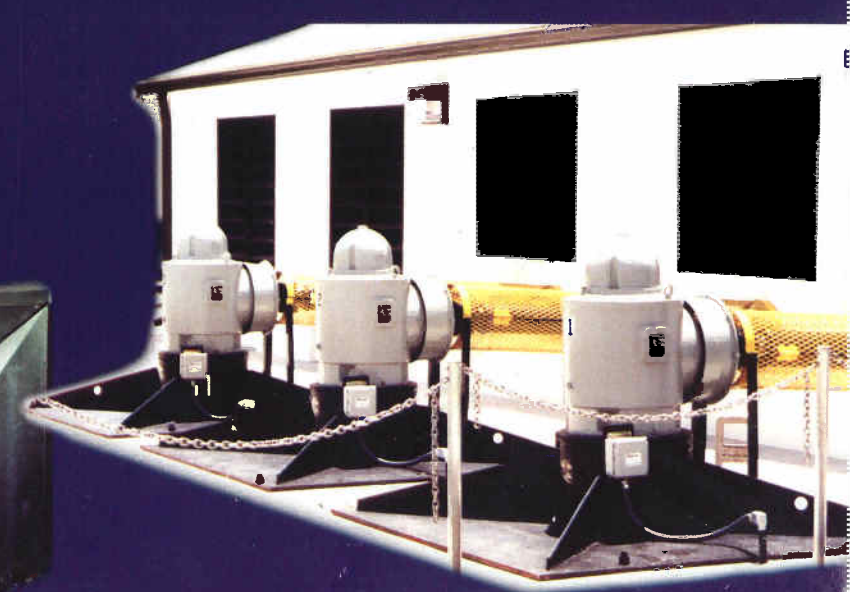
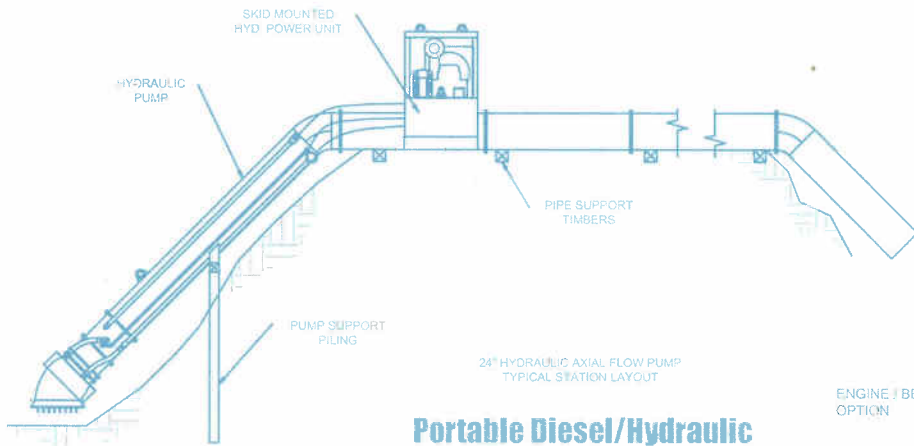


# FPI

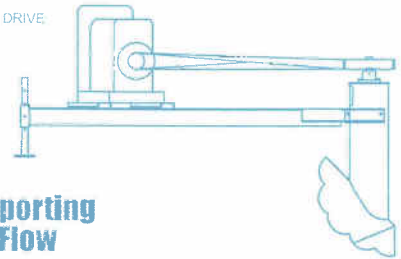
Propeller Pumps Since 1937





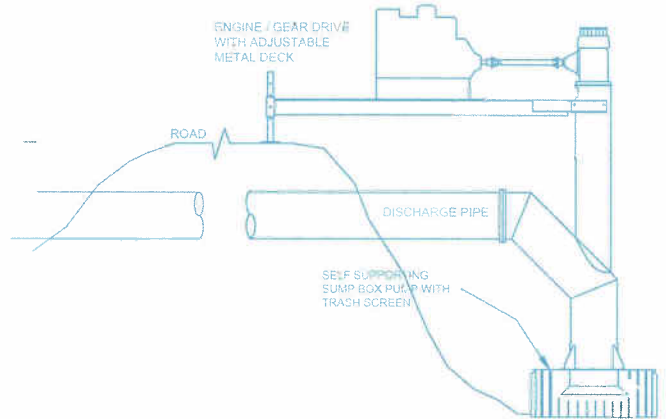
**Portable Diesel/Hydraulic**

ENGINE / BELT DRIVE  
OPTION

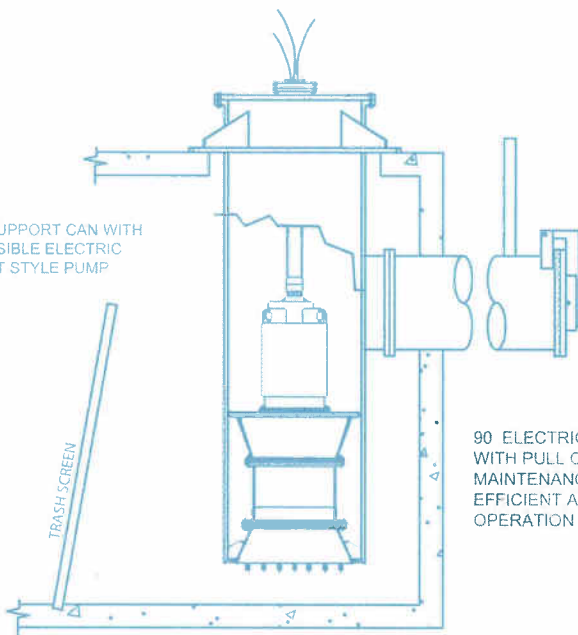


**Self-Supporting Axial Flow**

ENGINE / GEAR DRIVE  
WITH ADJUSTABLE  
METAL DECK



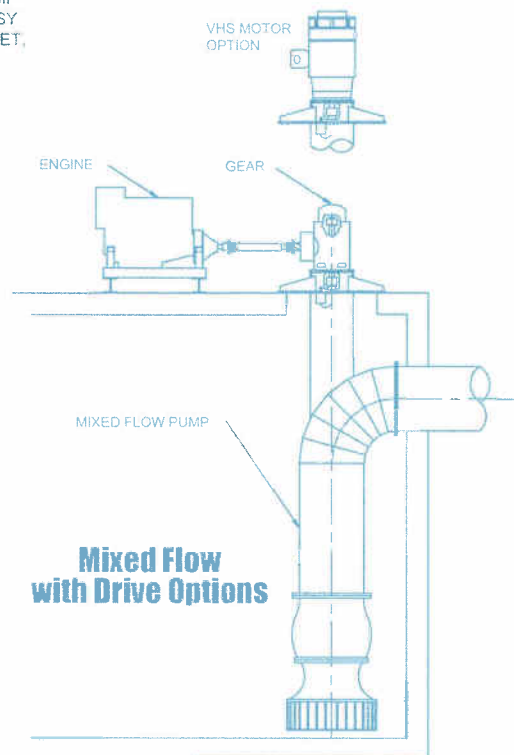
METAL SUPPORT CAN WITH  
SUBMERSIBLE ELECTRIC  
PULL OUT STYLE PUMP



90" ELECTRIC SUBMERSIBLE PUMP  
WITH PULL OUT DESIGN FOR EASY  
MAINTENANCE ACCESS AND QUIET,  
EFFICIENT AND DEPENDABLE  
OPERATION

**Submersible Electric**

VHS MOTOR  
OPTION



**Mixed Flow  
with Drive Options**





