

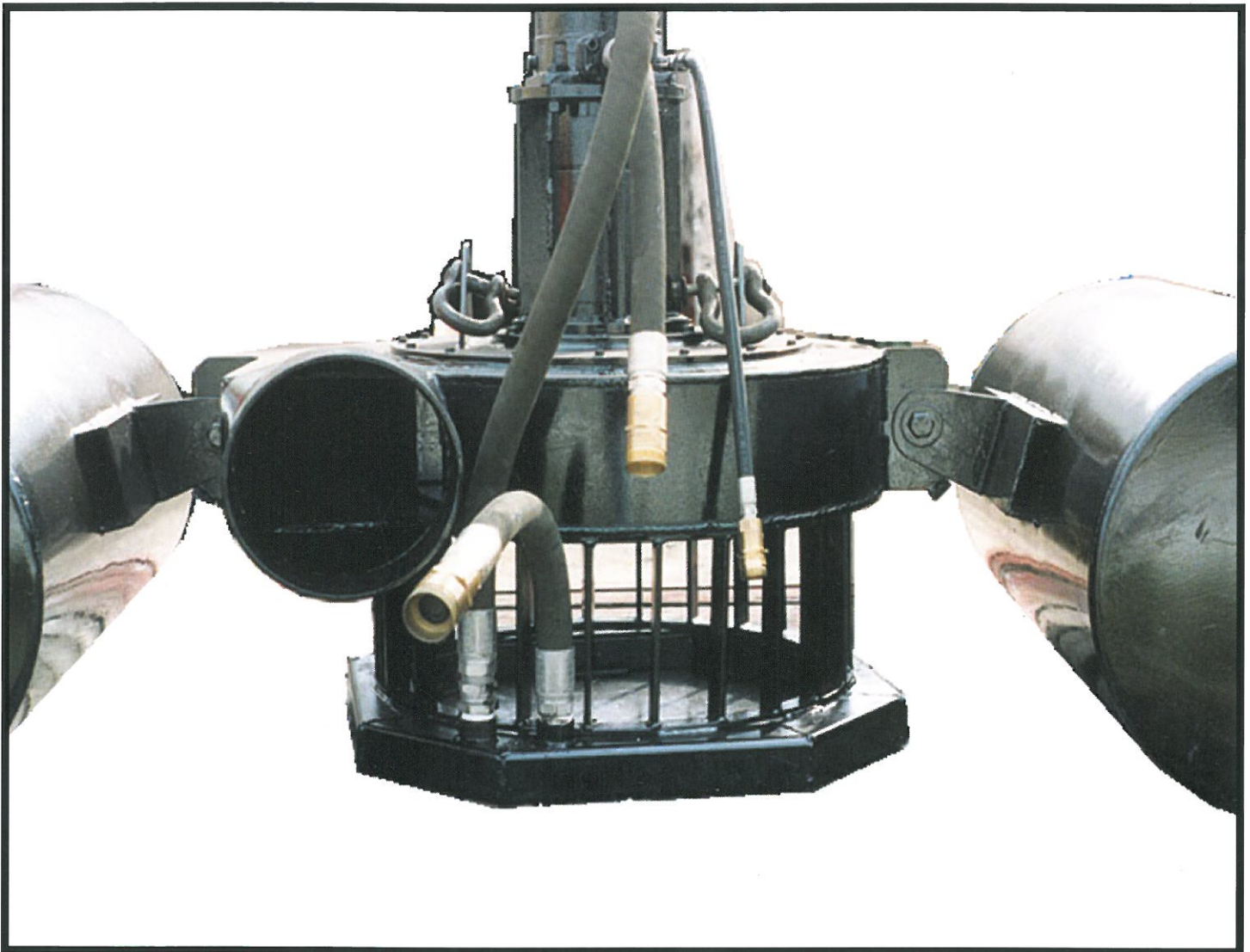
FPI

Propeller Pumps Since 1937

- **Municipal**
- **Construction**
- **Utilities**
- **Agriculture**
- **Mining**

PORTABLE TRASH HANDLING PUMPS

6 To 12 Inch Diameter Pumps, Hydraulically Driven



FOR MEDIUM VOLUME PUMPING AT MEDIUM HEADS

*FPI has been producing pumps
of unsurpassed workmanship for more than six decades*

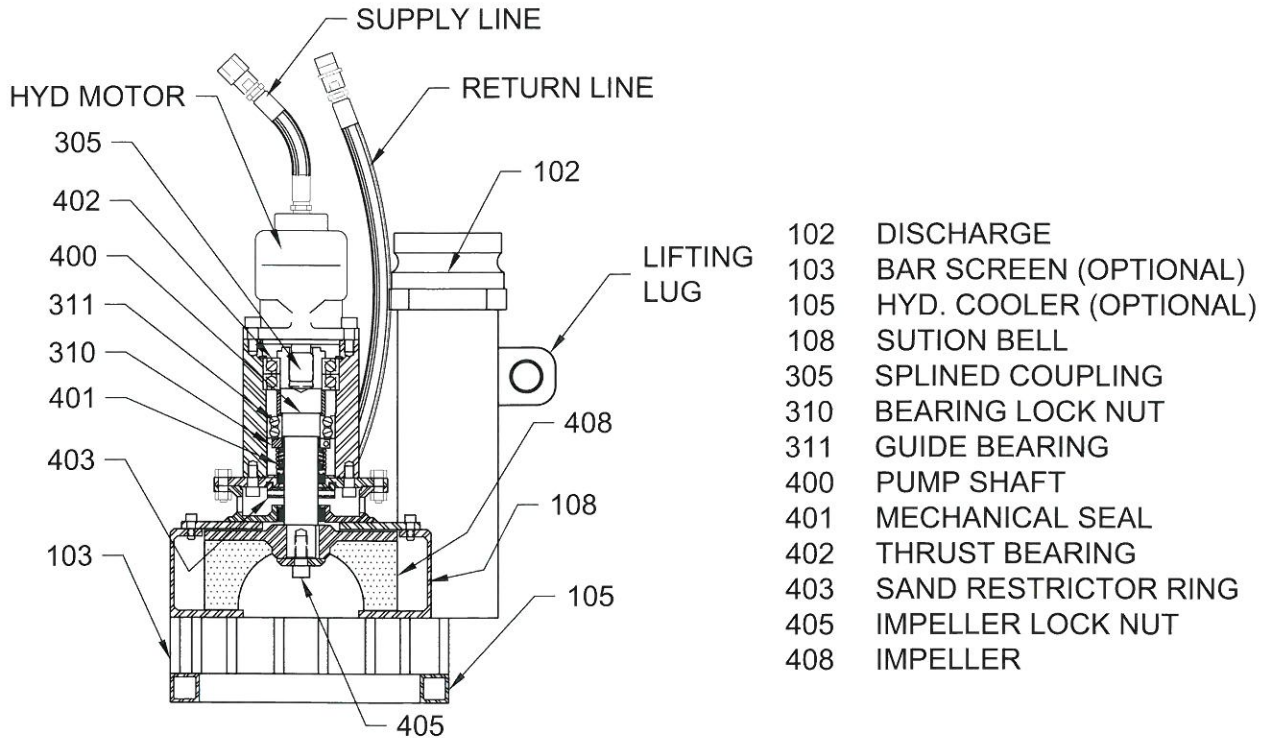
Member of:
Hydraulic
INSTITUTE



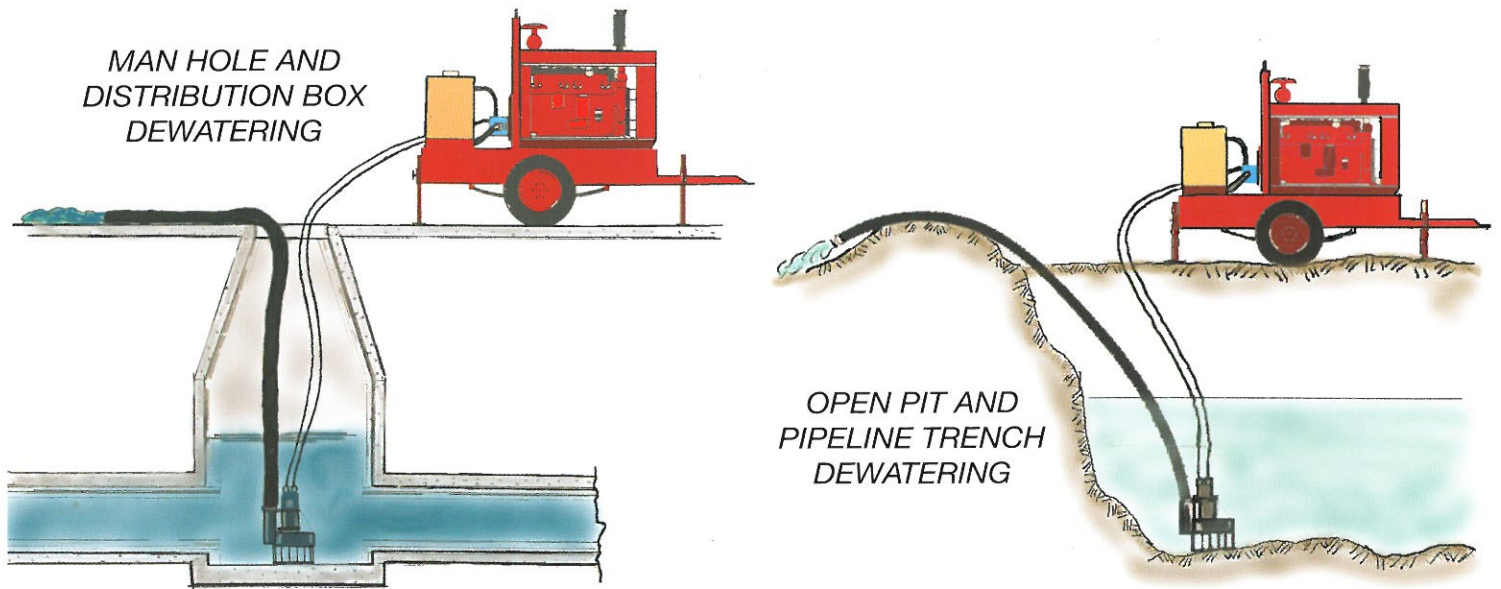
I.S.O. 9001
CERTIFIED

FPI PORTABLE TRASH PUMPS

FPI Portable Trash Handling Pumps are fully submersible portable pumps. The impeller is hydraulically driven through a short internal shaft directly connected to a hydraulic motor. All sealed to operate trouble free under water. FPI trash pumps are designed to pump a variety of materials ranging from trashy water to sludge and small solids. The trash pumps do not need priming and can run dry without damage to components.



**PUMP HEAD CROSS SECTION
MAJOR COMPONENT DESCRIPTION**



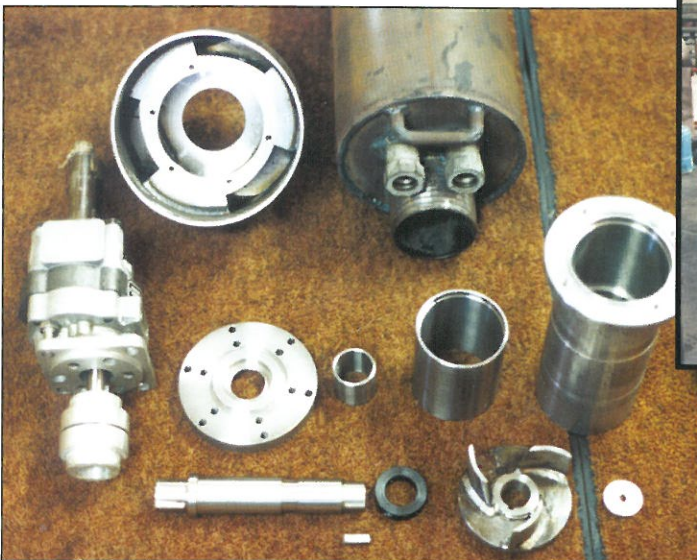
TYPICAL DEWATERING APPLICATIONS FOR PORTABLE TRASH HANDLING PUMPS



ON SITE TESTING AND DEMONSTRATION OF TRASH HANDLING PUMPING SYSTEM FOR MUNICIPALITY

CONSTRUCTION FEATURES

FPI Portable Trash are designed to handle the most demanding pumping applications. The Trash Pumps are built of Cor-Ten steel, of 316L grade Stainless Steel and use only the finest and most efficient hydraulic components matched with the most fuel efficient engines.



*3" PUMP CUSTOM PUMP HEAD
DESIGNED TO FIT IN 10" WELL CASING*



*12" PUMP PORTABLE TRASH PUMP
POWER UNIT*

FPI PUMPS

FPI Hydraulic and Direct Driven Pumps are custom designed and built to your specifications. These pumps are engineered to handle large volumes at maximum efficiency to assure you of the lowest operation cost. The construction is extra heavy to provide reliable service even under the toughest kind of pumping conditions.

65 YEARS OF EXPERIENCE

Serving Agriculture, Industry and Municipalities since 1937. The design of Our Portable Mobile Submersible Pumps is the result of more than half a century of specialized experience in the pump industry. To insure the quality and performance our customers expect and get, FPI pumps are engineered and built to order.

TEST FACILITIES

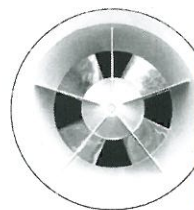
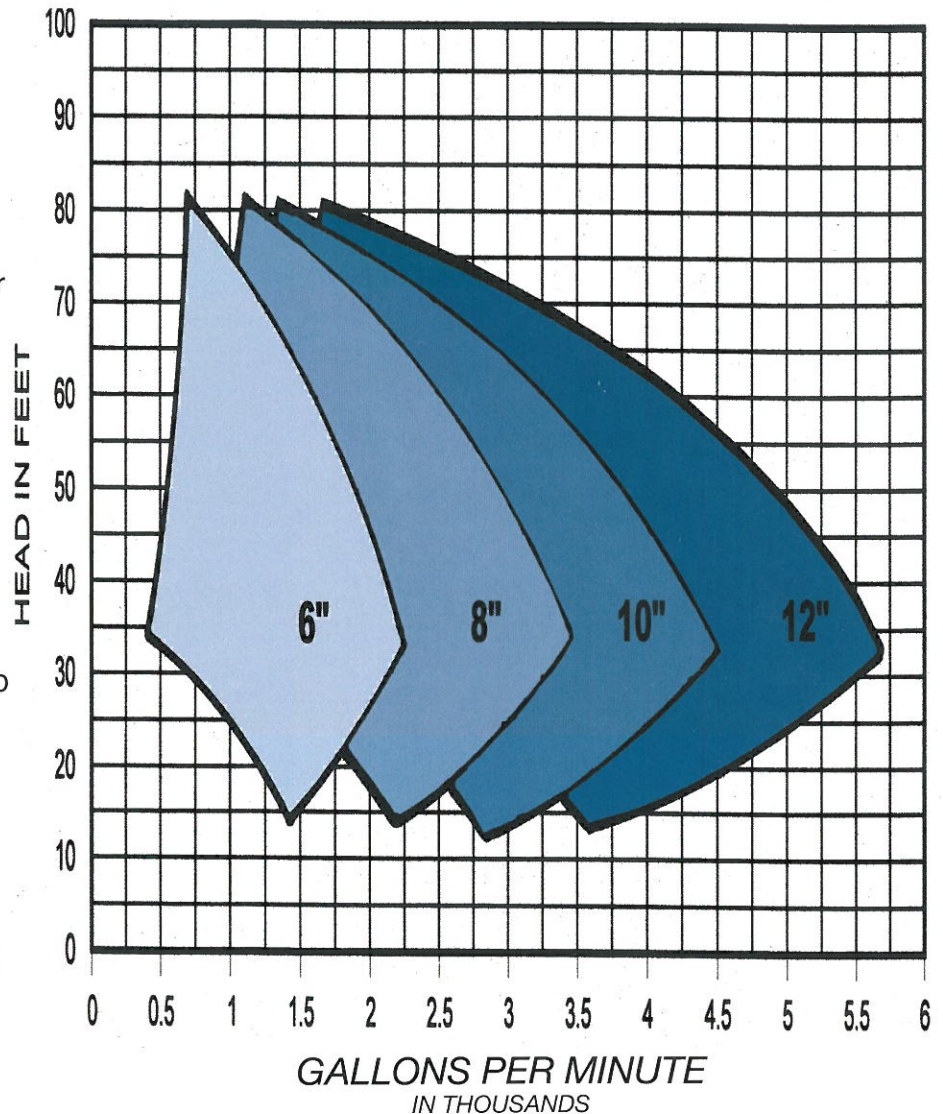
State of the art facilities capable of testing at capacities up to 60000 gpm. Larger pumps are model tested per the hydraulic institute standards.

TYPICAL APPLICATIONS

- FLOOD CONTROL
- IRRIGATION
- DRAINAGE
- AGRICULTURE
- AQUACULTURE
- CONSTRUCTION DEWATERING
- MANHOLE DEWATERING
- UTILITIES
- EFFLUENT DISPOSAL
- MUNICIPAL
- ROCKS & SAND
- BARROW PITS
- MINING APPLICATIONS

CURVES SHOW APPROXIMATELY THE CHARACTERISTICS WHEN PUMPING CLEAR COLD WATER

TRASH HANDLING PUMP RANGE CHARTS



FPI

Propeller Pumps Since 1937

814 HAMMONDVILLE ROAD, POMPANO BEACH FLORIDA 33060

PHONE: (954) 946-3066 • FAX: (954) 946-3111

E-MAIL: sales@fpipumps.com

WEBSITE: www.fpipumps.com